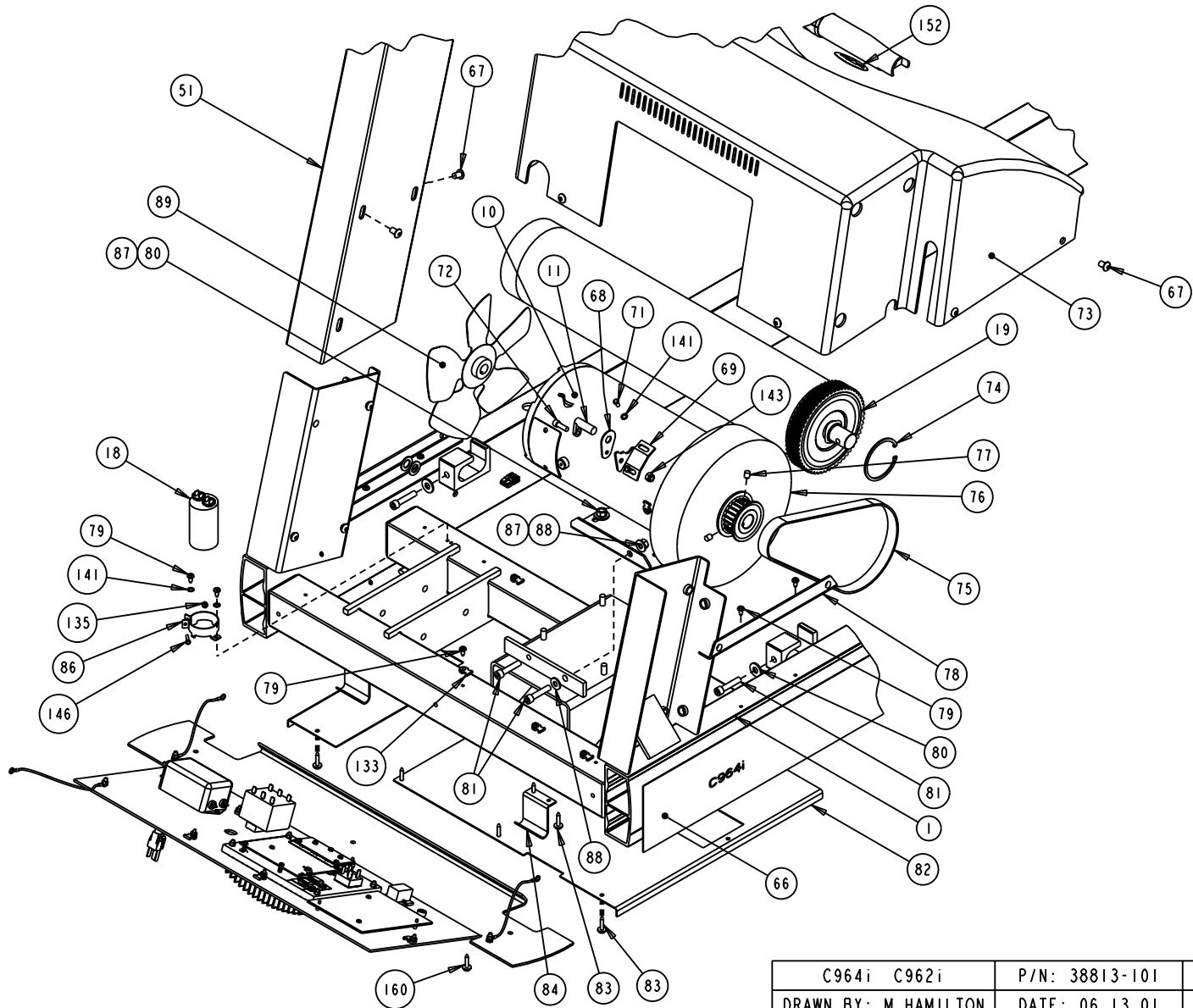
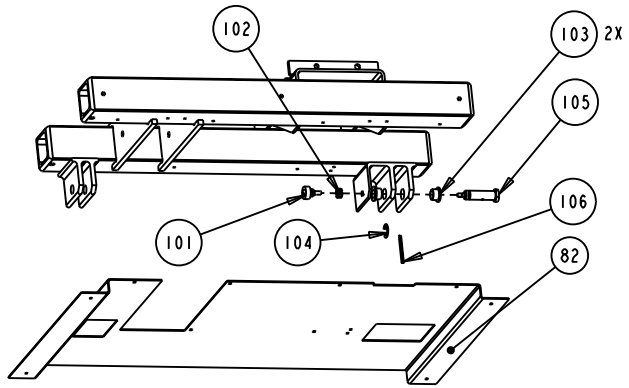


• HHR OPTION ONLY

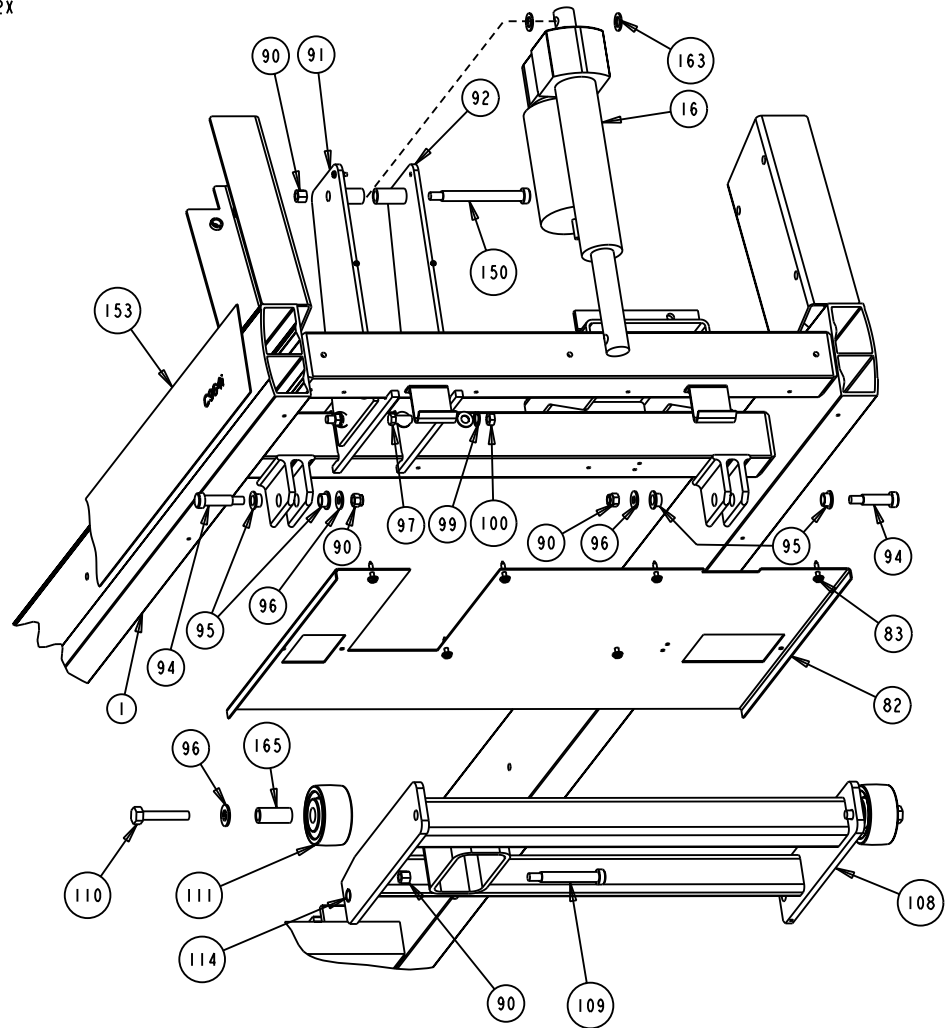
C964i / C962i	P/N: 38813-101	REV: F
DRAWN BY: M.HAMILTON	DATE: 06.13.01	SHEET 2 OF 6



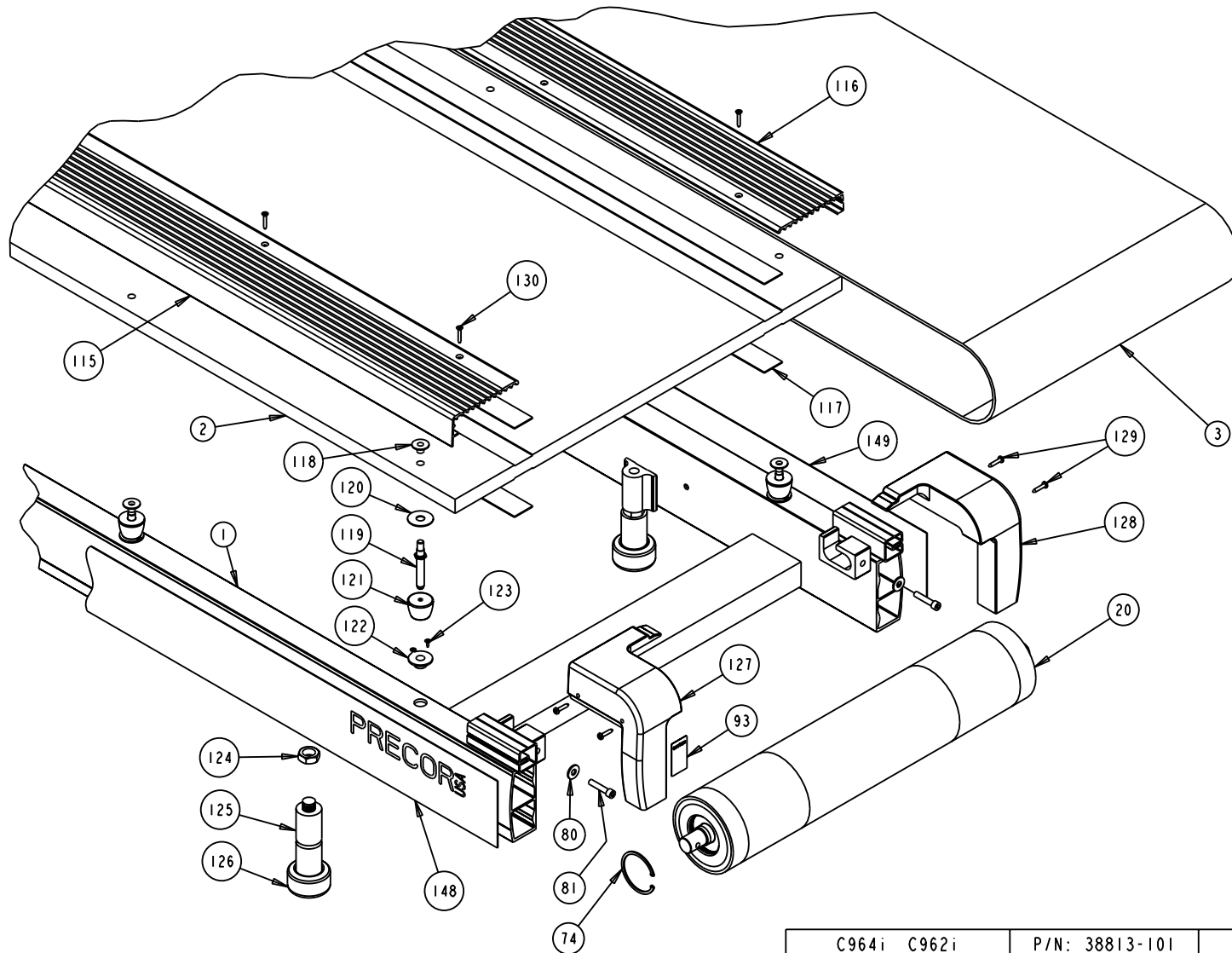
C964i	C962i	P/N: 38813-101	REV: F
DRAWN BY: M.HAMILTON		DATE: 06.13.01	SHEET 3 OF 6



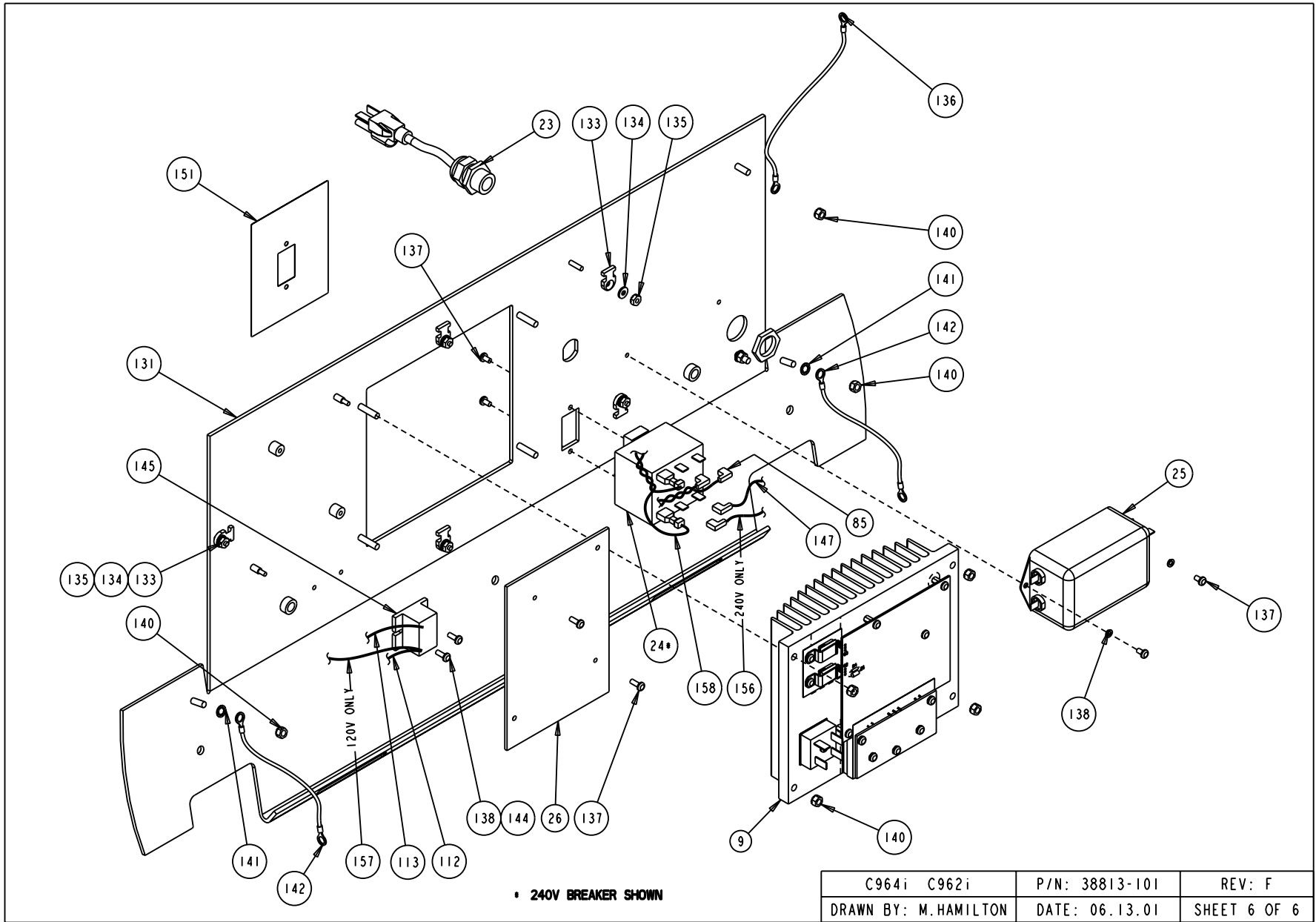
THIS VIEW FOR UNITS MANUFACTURED
PRIOR TO 04.20.2000, ONLY.



C964i	C962i	P/N: 38813-101	REV: F
DRAWN BY: M.HAMILTON		DATE: 06.13.01	SHEET 4 OF 6



C964i C962i	P/N: 38813-101	REV: F
DRAWN BY: M.HAMILTON	DATE: 06.13.01	SHEET 5 OF 6



• 240V BREAKER SHOWN

C964i	C962i	P/N: 38813-101	REV: F
DRAWN BY: M.HAMILTON		DATE: 06.13.01	SHEET 6 OF 6